



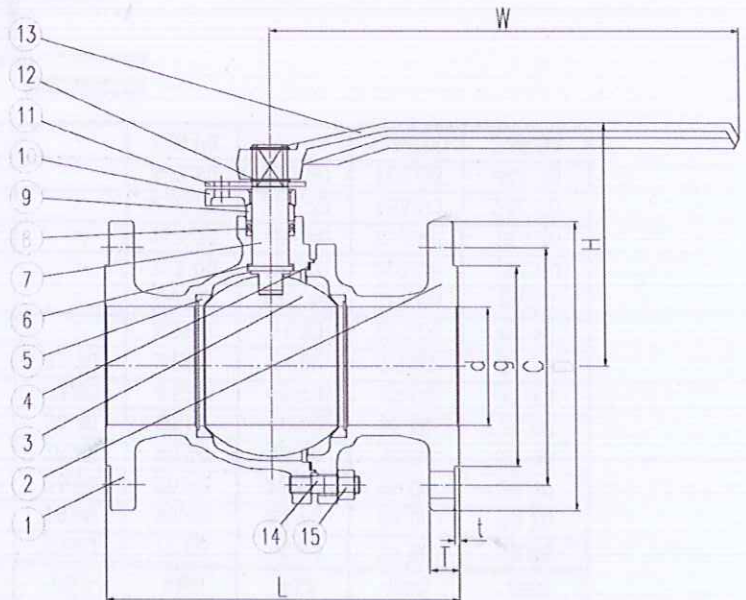
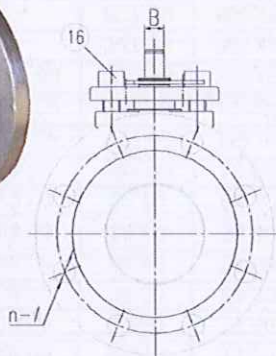
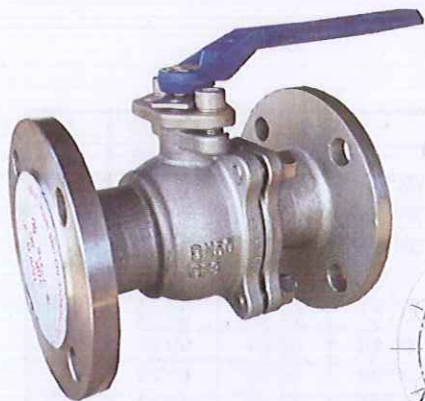
ARTSBG/XXX



UNIMECH GROUP, MALAYSIA

A MEMBER OF UNIMECH GROUP, MALAYSIA

STAINLESS STEEL BALL VALVE FLANGED END 300 LB (size 15mm~100mm)



Features :

Pressure - temperature rating : ASME B16.34

Face to face : ASME B16.10

Flange connection dimensions : ASME B16.5

Inspection and test : API 598

Shell test : 7.5 Mpa

Low Pressure sealing test : 0.5~0.7 Mpa

Technical Data

Material

No.	PART	MATERIAL
1	BODY	A351-CF8 or A351-CF8M
2	BONNET	A351-CF8 or A351-CF8M
3	BALL	A276-304 or A276-316
4	GASKET	PTFE
5	BALL SEATS	RPTFE
6	THRUST WASHER	PTFE
7	STEM BUSHING	PTFE (for 2" above)
8	STEM	A276-304 or A276-316
9	PACKING	PTFE

No.	PART	MATERIAL
10	GLAND	A276-304 or A276-316
11	GLAND FLANGE	A351-CF8
12	LOCK PLATE	A276-304
13	RETAINING RING	A276-304
14	HANDLE	QT400-15
15	BONNET BOLT	A193-B8
16	NUT	A194-8
17	HEX. BOLT	A193-B8

Dimension in mm

SIZES		d	L	D	C	g	T	t	B	H	W	n-Ø
DN	in.											
15	1/2"	15	140	95	66.5	35	15	1.6	6	78	115	4-16
20	3/4"	20	152	117	82.5	43	16	1.6	6	80.5	115	4-19
25	1"	25	165	124	89	51	18	1.6	8	96	150	4-19
32	1.1/4"	32	178	133	98.5	64	19	1.6	8	101	150	4-19
40	1.1/2"	40	190	156	114.5	73	21	1.6	12	132.5	200	4-22
50	2"	50	216	165	127	92	23	1.6	12	139	200	8-19
65	2.1/2"	65	241	190	149	105	26	1.6	16	164.5	320	8-22
80	3"	80	283	210	168.5	127	29	1.6	16	171.5	320	8-22
100	4"	100	305	254	200	157	32	1.6	20	204	450	8-22

The contents of this literature are for informative purposes only. Arita is not responsible for suitability or compatibility of these products in relation to system requirement. For specific requirements, consult Arita or its distributors. Arita reserves the right to change or modify product design without prior notice.



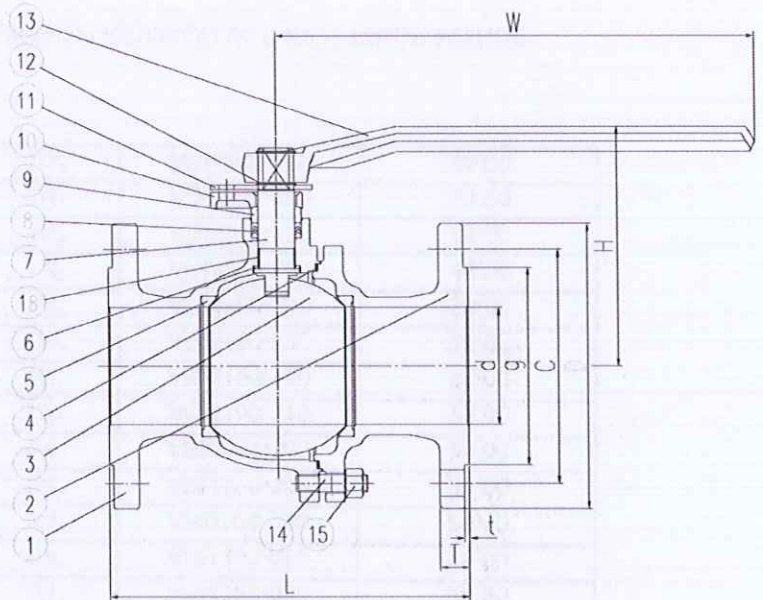
ARTSBG/XXX



UNIMECH GROUP, MALAYSIA

A MEMBER OF UNIMECH GROUP, MALAYSIA

STAINLESS STEEL BALL VALVE FLANGED END 300 LB (size 125mm~250mm)



Features :

- Pressure - temperature rating : ASME B16.34
- Face to face : ASME B16.10
- Flange connection dimensions : ASME B16.5
- Inspection and test : API 598
- Shell test : 7.5 Mpa
- Low Pressure sealing test : 0.5~0.7 Mpa

Technical Data

Material

No.	PART	MATERIAL
1	BODY	A351-CF8 or A351-CF8M
2	BONNET	A351-CF8 or A351-CF8M
3	BALL	A276-304 or A276-316
4	GASKET	PTFE
5	BALL SEATS	RPTFE
6	THRUST WASHER	PTFE
7	STEM	A276-304 or A276-316
8	PACKING	PTFE
9	GLAND	A276-304 or A276-316

No.	PART	MATERIAL
10	GLAND FLANGE	A351-CF8
11	LOCK PLATE	A276-304
12	RETAINING RING	A276-304
13	HANDLE	QT400-15
14	BONNET BOLT	A193-B8
15	NUT	A194-8
16	HEX. BOLT	A193-B8
17	STEM BUSHING	PTFE

Dimension in mm

SIZES		d	L	D	C	g	T	t	H	W	n-Ø
DN	in.										
125	5"	127	381	279	235	186	35	1.6	252	735	8-22
150	6"	152	403	318	270	216	37	1.6	272	1050	12-22
200	8"	203	502	381	330	270	42	1.6	342	1410	12-25
250	10"	253	568	445	387.5	324	48	1.6	345	1500	16-29

The contents of this literature are for informative purposes only. Arita is not responsible for suitability or compatibility of these products in relation to system requirement. For specific requirements, consult Arita or its distributors. Arita reserves the right to change or modify product design without prior notice.