



UNIMECH GROUP, MALAYSIA



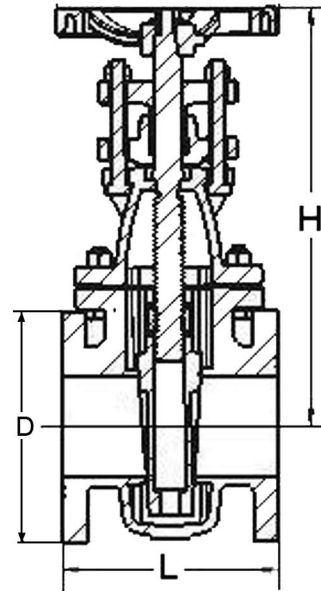
A MEMBER OF UNIMECH GROUP, MALAYSIA

CAST IRON GATE VALVE FLANGED END JIS 10K (NON RISING STEM)



Features :

- Face to Face is according to JIS B2002
- Flange drilled is according to JIS B2012
- Working Pressure : 10K
- Test Pressure Shell : 21.1 kgf/cm²
- Seat : 15.0 kgf/cm²



Technical Data

Material

| No. | PART | MATERIAL |
|-----|-----------|-------------------------------------|
| 1 | BODY | CAST IRON (FC20) |
| 2 | BONNET | CAST IRON (FC20) |
| 3 | STEM | STAINLESS STEEL (SS410) |
| 4 | DISC | CAST IRON (FC20) |
| 5 | SEAT RING | CAST BRONZE / STAINLESS STEEL (B62) |
| 6 | GLAND | DUCTILE IRON (FCD45) |
| 7 | PACKING | NOT ASBESTOS |
| 8 | HANDWHEEL | CAST IRON (FC20) |

Dimension in mm

| SIZES | | L | H | D |
|-------|--------|-----|------|-----|
| DN | in. | | | |
| 40 | 1.1/2" | 165 | 245 | 140 |
| 50 | 2" | 180 | 267 | 155 |
| 65 | 2.1/2" | 190 | 280 | 175 |
| 80 | 3" | 200 | 300 | 185 |
| 100 | 4" | 230 | 405 | 210 |
| 125 | 5" | 250 | 460 | 250 |
| 150 | 6" | 270 | 560 | 280 |
| 200 | 8" | 290 | 705 | 330 |
| 250 | 10" | 330 | 880 | 400 |
| 300 | 12" | 350 | 1100 | 445 |