



UNIMECH GROUP, MALAYSIA



A MEMBER OF UNIMECH GROUP, MALAYSIA

CAST IRON GATE VALVE FLANGED END ANSI 150 (NON RISING STEM)



Features :

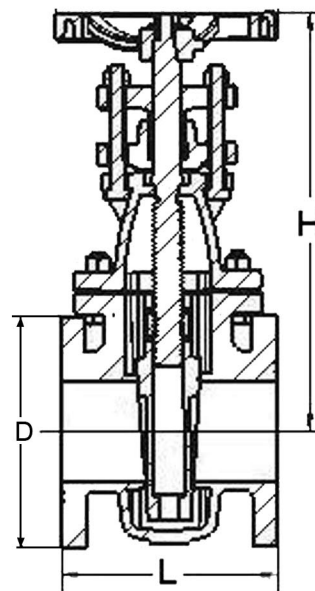
Face to Face is according to ANSI B16.10

Flange drilled is according to ANSI B16.1

Working Pressure : 150 PSI

Test Pressure Shell : 21.1 kgf/cm²

Seat : 15.0 kgf/cm²



Technical Data

Material

No.	PART	MATERIAL
1	BODY	CAST IRON (A126)
2	BONNET	CAST IRON (A126)
3	STEM	STAINLESS STEEL (SS410)
4	DISC	CAST IRON (A126)
5	SEAT RING	CAST BRONZE / STAINLESS STEEL (B62)
6	GLAND	DUCTILE IRON (FCD45)
7	PACKING	NOT ASBESTOS
8	HANDWHEEL	CAST IRON (A126)

Dimension in mm

SIZES		L	H	D
DN	in.			
40	1.1/2"	165	260	140
50	2"	180	267	155
65	2.1/2"	190	280	175
80	3"	200	300	185
100	4"	230	405	210
125	5"	250	460	250
150	6"	270	560	280
200	8"	290	705	330
250	10"	330	880	400
300	12"	350	1100	445