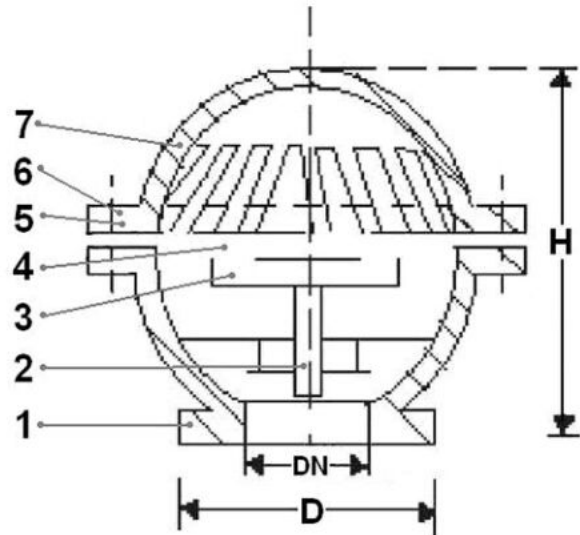


STAINLESS STEEL FOOT VALVE SCREWED END



Technical Data

Dimension in mm

SIZES		D	H	WT. (KG)
DN	in.			
15	1/2	45	100	0.8
20	3/4	45	100	0.8
25	1	48	105	0.9
32	1.1/4	58	107	1.2
40	1.1/2	58	109	1.4
50	2	70	135	2.2

Material

No.	PART	MATERIAL
1	BODY	SUS 304 / SUS 316
2	STEM	SUS 304 / SUS 316
3	DISC	SUS 304 / SUS 316
4	GASKET	PTFE
5	BOLT	SUS 304 / SUS 316
6	NUT	SUS 304 / SUS 316
7	SCREEN	SUS 304 / SUS 316

Features

Designed for use in irrigation and other pumping applications where water may be dirty due to suspended silt and sand. BSPT threaded ends for easy installation.